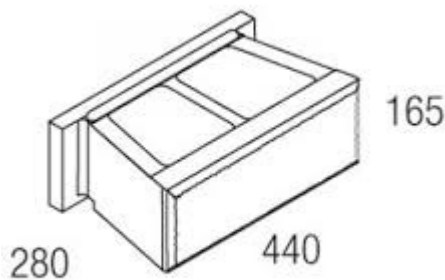


NATIONAL MASONRY MODERNSTONE BLOCK

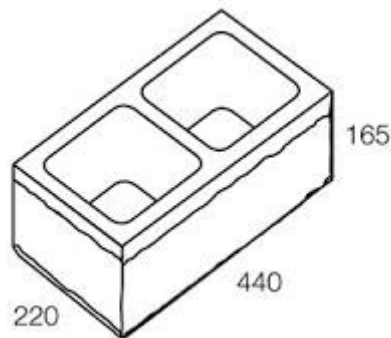
Product	Colour Range	Dimensions	No. /M2	No. /Pallet	Weight (KG)	*DELIVERED PRICE - BRISBANE
Le Standard Block	Light Sands Portstone	440Lx280Wx165H	13.77	40	26.5kg	\$11.36 ea
Modernstone Corner Block	Charcoal	440Lx220Wx165H	-	48	20kg	\$14.56 ea
Modernstone Capping	Cafe Creme	440Lx280Wx60H	2.27 /lm	100	16.5kg	\$11.22 ea

*Refer to information on Delivery Charges

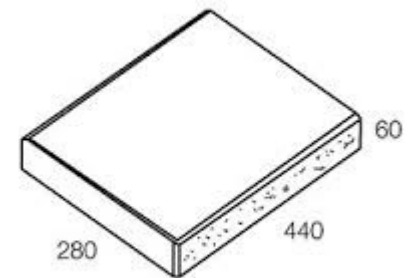
Standard Block



Corner Block



Capping



Delivery Charges:

The above "Delivered Price" is for orders of 2 or more pallets to Brisbane locations.

Orders under 2 full pallets will be charged an additional \$92.40 for delivery.

Important Notes:

- Blocks and pavers are to be paid for in full at the time of placing your order.
- Blocks and pavers are usually delivered using a forklift truck. If a crane truck is required please talk to our staff when ordering.