

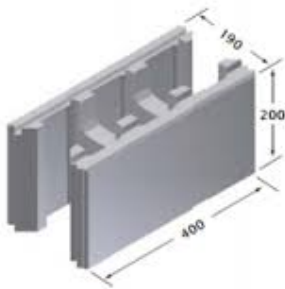
## ADBRI VERSAWALL BLOCK – 200 Series

Pricing Current as at 18/1/2017

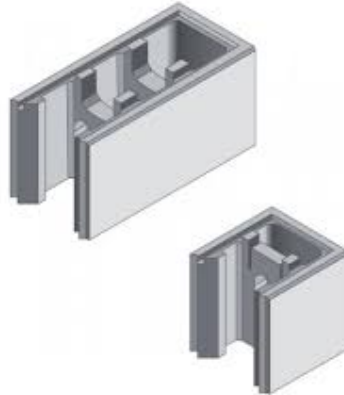
Product	Colour Range	Dimensions	No. /M2	No. /Pallet	Weight (KG)	*DELIVERED PRICE - BRISBANE
Versaloc Wall Block – 200 Series	Greyblock	400Lx190Wx200H	12.5	72	15.56kg	\$4.96 ea
Versaloc Full End Block – 200 Series		400Lx190Wx200H	-	48	17.5kg	\$9.69 per pair
Versaloc Half End Block – 200 Series		200Lx190Wx200H	-	Pairs	9kg	Must purchase in pairs
Versaloc Righthand Corner – 200 Series		390Lx190Wx200H	-	36	15.35kg	\$9.90 per pair
Versaloc Lefthand Corner – 200 Series			-	Pairs	15.35kg	Must purchase in pairs

*\*Refer to information on Delivery Charges*

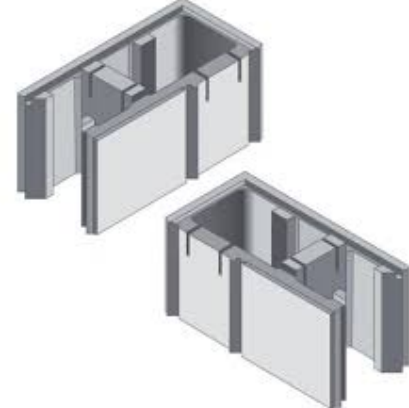
Wall Block



Full End & Half End



Left & Right Corners



### **Delivery Charges:**

The above "Delivered Price" is for orders of 3 tonne (approximately 2 pallets) or more pallets to Brisbane locations.

Orders under 3 tonne will be charged an additional \$92 for delivery.

### **Important Notes:**

- Blocks and pavers are to be paid for in full at the time of placing your order.
- Blocks and pavers are usually delivered using a forklift truck. If a crane truck is required please talk to our staff when ordering.